

UNBRAKED



BRITAIN'S LEADING
TRAILER MANUFACTURER

In Safe Hands

SPECIALISTS IN TRAILER DESIGN & ENGINEERING

For over 60 years, people have put their trust in our trailers, just ask an owner they're not difficult to find. As specialists in trailer design and engineering, we have continued to set the standard both in the UK and throughout much of Europe.

We are an independent company with one focus: to build the best products on the market. More than 30,000 people choose our trailers each year - but we're not standing still. Our dedicated investment in new technologies and materials ensures that our products continue to exceed the expectations of our customers. We know that quality, strength, value and ease of maintenance are of vital importance to you. That's why we've made them the driving force behind everything we do.



P6e with optional ramp stock door, weldmesh panelled sides and 20.5x8x10 tyres (750kg)



Lfor Williams Unbraked Trailers

The Lfor Williams unbraked trailer range provides a low-cost entry into towing for thousands of new users every year.

Many owners have chosen these trailers for their ease of handling and towing plus their value for money. The extensive features add up to make an unbraked trailer the ideal choice for the smaller load.

Quality matters

There are many small lightweight trailers on the market today, but very few can boast the strength, durability and longevity provided by the Lfor Williams unbraked range. The multi purpose unbraked range has proven itself capable of withstanding the daily rigours of the professional user for many years.

Easy to tow

If you have a driving licence for a car, then you can tow an unbraked trailer* - minimum requirement of licence is Category B.

Choice of designs

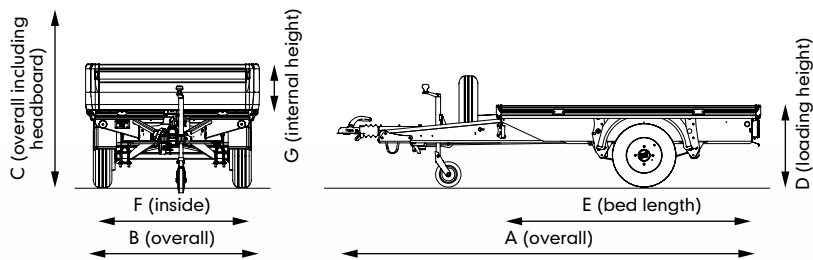
We offer a choice of unbraked trailers. Our P5, P6e, P7e and P8e are unbraked trailers with the wheels positioned to the side of the trailer body. Our unbraked Eurolight trailers have the wheels underneath the trailer body. The choice is yours: The lower bed height and the ramp options are a feature of the 'P' range; the extra versatility of removable sides and narrower towing width are particular benefits of the Eurolight range.

We also manufacture a popular unbraked box van, BV64, details of which can be found in our Box Van Brochure.

*Always refer to the towing vehicle manufacturers handbook for maximum unbraked towing limit.



P6e with tailboard and 145/70R13 tyres (500kg)



Dimensions in Metres								Gross Weight	Unladen Weight	
Trailer	Tyres	A	B	C	D	E	F	G		
EL071-2012	145/80B10	3.29	1.39	0.99	0.66	2.08	1.30	0.35	750kg	194kg
EL071-2512	145/80B10	3.79	1.39	0.99	0.66	2.58	1.30	0.35	750kg	218kg

*Unladen weight does not include optional extras

EL071-2012 2.0m x 1.3m bed size



EL071-2012 with optional dropsides, headboard and tailboard



Unbraked Eurolight

Most unbraked trailer designs have wheels that are positioned at the side of the trailer, our P5, P6e, P7e and P8e trailers feature this type of design. However there are some distinct benefits to having wheels tucked under the bed of the trailer:

- _ Narrower to tow – will go through narrow gates, or into garages more readily
- _ Sides can be removed – easier to load – including by forklift
- _ Higher bed height – less stooping down to pick up heavy or awkward loads

The Eurolight trailers comprise a range of practical and versatile flat bed trailers. Most of the trailers in the range are braked, but the two smallest bed sizes (featured here) are also available without brakes. This means they offer the economy of an unbraked trailer and yet have the same sturdy chassis of our braked trailer range.

The Eurolight trailers feature the Ifor Williams beam axle and have parabolic leaf spring suspension. The larger of the two trailers, has a bed size which can carry standard building sheets (typical size of 2.4m x 1.2m).

Why Buy? Our trailers are built to last and should cost you a lot less in the long run compared to trailers built to a lower specification:

- _ Large diameter wheel and tyres - provide a smoother, quieter ride and cope more easily with pot holes
- _ Spare wheel as standard
- _ Professional grade axles - tested to significantly more than rated value
- _ 15mm thick laminate floor, durable and hard wearing for a long life
- _ Wheel bearings rated for 1000kg
- _ Extensive range of accessories – make the trailer suitable for business and leisure applications

Accessory Options (see inside back cover for full listing)

- _ Headboard/tailboard/sides
- _ Mesh sides
- _ Ladder rack
- _ Aluminium treadplate floor covering
- _ Lashing points



P5 with ramp and optional weldmesh panelled side extensions



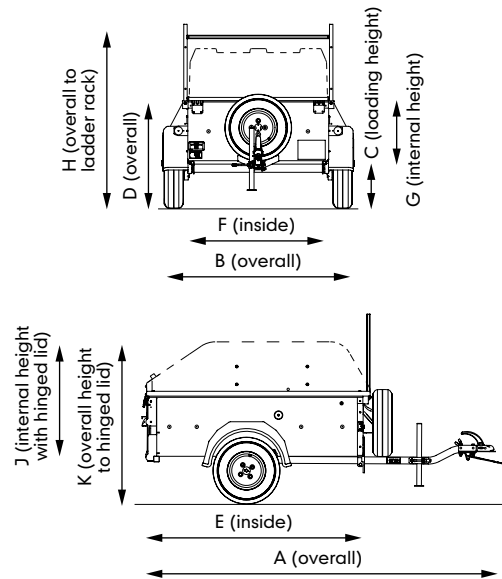
P5 with tailboard and GRP top



P5 with ramp and optional weldmesh panelled side extensions



P5 with tailboard and optional tarpaulin cover



Dimensions in Metres												Gross
Trailer	Tyres	A	B	C	D	E	F	G	H	J	K	Weight
P5	145/80B10	2.56	1.41	0.36	0.81	1.53	1.02	0.45	1.37	0.78	1.17	500kg

Diagrams above are shown with optional ladder rack (solid line) and GRP Top (dotted line)
See inside back cover for unladen weight.

P5 Unbraked Trailer

The P5 is a compact and convenient trailer designed for domestic use and light commercial duties. This trailer will provide many years of service and will outlast other less durable trailers available on the market. The P5 is available with either a tailboard or a ramp and offers excellent strength to weight ratio with a maximum gross weight of 500kg and a payload starting at 359kg.

The P5 is easily stored in your garage and will fit through narrower gateways that may prove problematic for wider trailers. The P5 can be towed with ease and its extra deep sides (0.45m Depth) ensures load volume is not compromised.

From chippings, sand and gravel (up to 14 standard 25kg bags at a time), to concrete slabs, decking, plants and even domestic appliances, the P5 is an ideal introductory trailer that can be towed by most cars and vans.*

Going on a camping trip? Why not cover your trailer load with a bespoke tarpaulin, a convenient and professional way of keeping your trailer contents under cover and out of sight. Alternatively, the GRP Top is a great optional extra for the P5, offering security, increased volume and protection from the elements.

Why Buy? Our trailers are built to last and should cost you a lot less in the long run compared to trailers built to a lower specification:

- _ 10" diameter wheels are larger than most similar trailers and provide a smoother and quieter ride
- _ Spare wheel as standard
- _ Professional grade axles - tested to significantly more than rated value
- _ 15mm thick laminate floor: durable and hard wearing for a long life
- _ Extensive range of accessories - make the trailer suitable for business and leisure applications

Accessory Options (see inside back cover for full listing)

- _ Mesh sides
- _ Ladder rack
- _ GRP top (Hinged with gas strut and lock)
- _ Tarpaulin
- _ Aluminium treadplate floor covering

*Refer to towing vehicle manufacturers handbook for maximum unbraked towing limit.

**Requires padlock.



P6e livestock with 20.5x8x10 tyres (750kg)



P8e with mesh sides, ramp and 20.5x8x10 tyres



P6e with optional weldmesh panelled sides and 20.5x8x10 tyres (750kg)



P6e with optional weldmesh panelled sides, quad bike drawbar and 20.5x8x10 tyres (750kg)

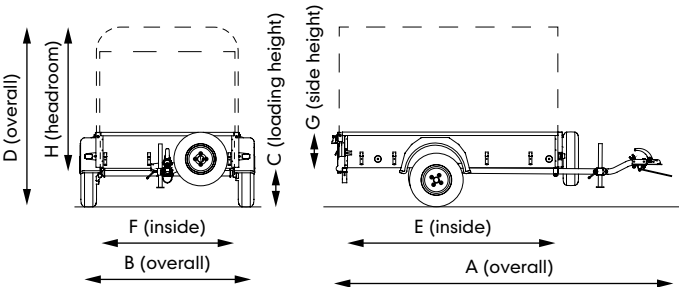


P7e with ramp, optional rear prop stands and 20.5x8x10 (750kg)



P6e with tailboard and 145/70R13 tyres (500kg)

P8e trailer with ramp and 145/70R13 tyres



Dimensions in Metres										Gross Weight
Trailer	Tyres	A	B	C	D	E	F	G	H	
P6e	145/80B10	2.95	1.65	0.40	1.58	1.98	1.21	0.31	1.12	500kg
P6e	20.5x8x10	2.95	1.72	0.41	1.59	1.98	1.21	0.31	1.12	750kg
P6e	145/70R13	2.95	1.63	0.40	1.58	1.98	1.21	0.31	1.12	500kg
P6e	145/70R13	2.95	1.63	0.41	1.59	1.98	1.21	0.31	1.12	750kg
P7e	20.5x8x10	3.18	1.72	0.41	1.59	2.21	1.21	0.31	1.12	750kg
P7e	145/70R13	3.18	1.63	0.40	1.58	2.21	1.21	0.31	1.12	500kg
P7e	145/70R13	3.18	1.63	0.41	1.59	2.21	1.21	0.31	1.12	750kg
P8e	20.5x8x10	3.53	1.96	0.41	1.59	2.51	1.45	0.31	1.12	750kg
P8e	145/70R13	3.53	1.87	0.41	1.58	2.51	1.45	0.31	1.12	750kg

P6e/P7e/P8e

Larger, stronger and tougher than trailers typically sold at your local DIY or car parts superstore, the P6e, P7e and P8e are small trailers with big hearts. On the road they can be towed by a family car¹, off road they can even be towed by a quad bike.^{1,2} With ramp or tailboard versions, canopy and livestock options, gross weights of 500kg or 750kg on most models and a range of optional accessories, the P6e, P7e and P8e cater for most domestic, light commercial and general farmyard duties.

The axle, drawbar and body panels of these trailers are constructed from hot-dipped galvanised steel. The loading ramp is panelled in 2mm thick slip resistant aluminium tread plate.

The P8e is the big brother of the P6e and P7e, being both longer and wider. The P8e comfortably carries standard building sheets (typical size of 2.4m x 1.2m).

In addition, the generous width allows the loading of a variety of lawn mowers and most of the side-by-side quad bikes.

The P8e is available with a tailboard, a ramp or with an extended ramp. The extended ramp version has been developed for carrying ride-on mowers, which normally have limited ground clearance. Uniquely the extended ramp features an assistor for ease of use.

Why Buy? Our trailers are built to last and should cost you a lot less in the long run compared to trailers built to a lower specification:

- Large diameter wheel and tyres up to 13" provide a smoother, quieter ride and cope more easily with pot holes
- Spare wheel as standard
- Professional grade axles - tested to significantly more than rated value
- 18mm thick laminate floor: durable and hard wearing for a long life
- Wheel bearings rated for 1000kg
- Extensive range of accessories – make the trailer suitable for business and leisure applications

Accessory Options (see inside back cover for full listing)

- Mesh sides
- Ladder rack
- Aluminium treadplate floor covering
- Extended ramp (P8e only)
- Canopy

¹ Refer to towing vehicle manufacturers handbook for maximum unbraked towing limit.

² If fitted with optional Quad Bike drawbar. *Requires padlock.



P8e with weld mesh sides, rear ramp, prop stands and 20.5x8x10 tyres

Specifications

Unbraked

	Maximum Gross Weight	Tyres	Unladen Weight	Unladen Weight	Fibreglass Lockable Hinged Lid (Complete with Gas Struts)**	Trailer with Canopy (Ramp)	Trailer with Canopy (Meshgate)	Trailer with Canopy (Aluminium Door)	Trailer with Livestock Kit (Ramp)	Aluminium Treadplate Floor Covering	Prop Stands (Pair)	Jockey Wheel (Front Prop Stand Included)	Lashing Points (Pair) Self Fit Supplied Loose	Weldmesh Panelled Side Extensions (Ramp Trailer)	Weldmesh Panelled Side Extensions (Tailboard Trailer)	Ladder Rack	ATV Drawbar - Self Fit Supplied Loose (Steel Tube Only)	Light Guards (Pair)	Tarpaulin (Blue)	Livestock Cross Division
P5	500kg	145/80B10	140kg	145kg	162kg**	-	-	-	-	Option	Option	Option	Option	Option	Option	Option	-	Option	Option	-
P6e	500kg	145/80B10	162kg	170kg*	-	215kg	215kg	210kg	225kg	Option	Option	Option	Option	Option	Option	Option	Option	Option	Option	Option
P6e	750kg	20.5x8x10	182kg	190kg*	-	235kg	235kg	230kg	245kg	Option	Option	Option	Option	Option	Option	Option	Option	Option	Option	Option
P6e	500kg	145/70R13	182kg	190kg*	-	235kg	235kg	230kg	245kg	Option	Option	Option	Option	Option	Option	Option	Option	Option	Option	Option
P6e	750kg	145/70R13	182kg	190kg*	-	235kg	235kg	230kg	245kg	Option	Option	Option	Option	Option	Option	Option	Option	Option	Option	Option
P7e	750kg	20.5x8x10	195kg	203kg*	-	248kg	248kg	243kg	258kg	Option	Option	Option	Option	Option	Option	Option	Option	Option	Option	Option
P7e	500kg	145/70R13	195kg	203kg*	-	148kg	148kg	243kg	258kg	Option	Option	Option	Option	Option	Option	Option	Option	Option	Option	Option
P7e	750kg	145/70R13	195kg	203kg*	-	248kg	248kg	243kg	258kg	Option	Option	Option	Option	Option	Option	Option	Option	Option	Option	Option
P8e	750kg	20.5x8x10	218kg	228kg***	-	283kg	283kg	278kg	-	Option	Option	Option	Option	Option	Option	Option	-	Option	-	-
P8e	750kg	145/70R13	218kg	228kg***	-	283kg	283kg	278kg	-	Option	Option	Option	Option	Option	Option	Option	-	Option	-	-

*These trailers are available with a Ramp Stock Door option. This is a factory fit only option and must be specified at the time of order.

Suitable for Tailboard version of P5 only. * Extended ramp (1.3m/4') is available on P8e.

All trailer weights are unladen and exclude any optional extras.

Unbraked Eurolight

	Maximum Gross Weight	Tyres	Unladen Weight	Trailer fitted with Resin Coated Plywood Platform	Aluminium Treadplate Floor Covering	Removable Steel Headboard, Dropsides & Tailboard	Removable Steel headboard	Weldmesh Panelled Side Extensions (Dropsides Required)	Removable Ladder Rack (Headboard required)	2m Long Steel Perforated Lockable Loading Skids & Skid Carrier† (Includes Prop Stands)	Recessed Lashing Ring (Pair)	Prop Stands	Rope Hook Kit (Pair)	13 pin to 7 pin Towing Electric Plug Adaptor
EL071-2012	750kg	145/80B10	194kg	Option	Option	Option	Option	Option	Option	Option	Option	Option	Option	Option
EL071-2512	750kg	145/80B10	218kg	Option	Option	Option	Option	Option	Option	Option	Option	Option	Option	Option

Please note that by October 2012 all Unbraked Eurolight trailers will come as standard with a 13 pin towing electric plug. This is in order to comply with the requirement under ECWVTA regulation changes to provide trailer reversing lights. If your vehicle only has a 7 pin towing socket then a convenient adaptor can be purchased to convert the trailer's 13 pin socket back to 7 pin.



The BV64e unbraked mini box van, our smallest box van in the range. Further details are available in our Box Van brochure.

TRAILERS INCLUDE A SPARE WHEEL FITTED AS STANDARD



Ifor Williams Trailers Ltd
Cynwyd, Corwen,
Denbighshire LL21 0LB UK
Telephone +44 (0)1490 412527
sales@iwt.co.uk

For further information visit our
comprehensive website
www.iwt.co.uk

Product design, descriptions, colours, specifications etc. correct at time of going to press. We constantly strive to improve our products, and from time to time this may result in changes to our range or to individual models. Please check that design, description, colours, specifications described in this brochure are still valid at the time of placing an order.

Our distributors have extensive product knowledge and will be pleased to offer assistance in the selection of your trailer.

© Ifor Williams Trailers Ltd 2019.

All rights reserved.

No part of this publication may be reproduced in any form or by any means, without the prior written permission of Ifor Williams Trailers Ltd.